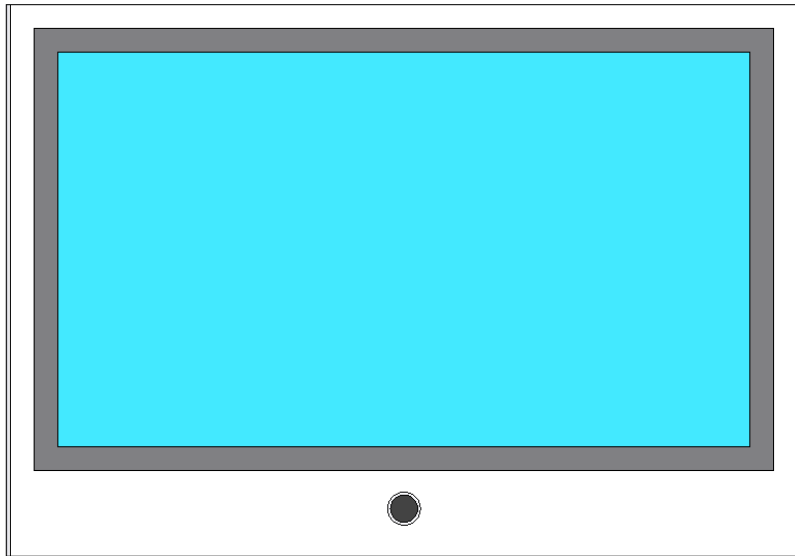
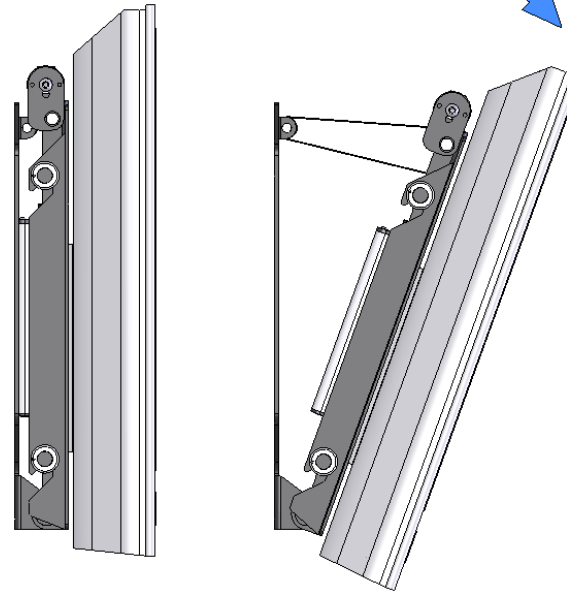


ET Electrical Tilting Bracket Technical Sheet

Sheet 1 of 2
ISSUE: 001
www.futureautomation.co.uk



**EASY TO USE
'HOOK ON'
SCREEN MOUNTING.**



**AMOUNT OF TILT CAN
EASILY BE ADJUSTED
UP TO A MAXIMUM OF
20 DEGREES.**

FUNCTION

The ET tilting bracket is a remote controlled mechanism that will tilt flat screens from 32" to 50" up to an angle of 20° from the wall.

SUITABILITY

Designed for screens from 32" to 50".

Minimum width 680mm, minimum height 495mm.

Compatible with most standard mounting types.

SPECIFYING

Check wall suitability to determine appropriate fixings required.

CONTROL

Supplied with basic infrared remote. Can be learnt by many learning remotes.

Also has switch control so can be operated by relays, switches, Crestron/AMX or Lutron systems.

WARNING

It is the responsibility of the installer to warn all potential end users of the dangers of interfering with mechanisms during operation

IMPORTANT

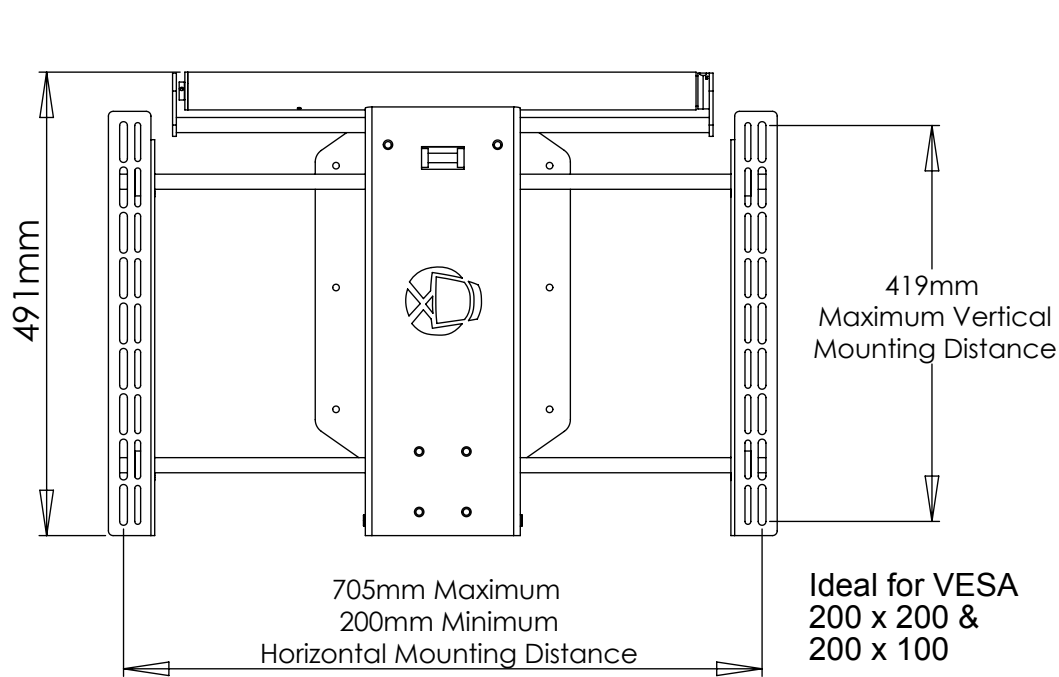
Mechanisms which lift or move weights need to be checked on a yearly basis for any damage which may result in an accident



FUTUREAUTOMATION

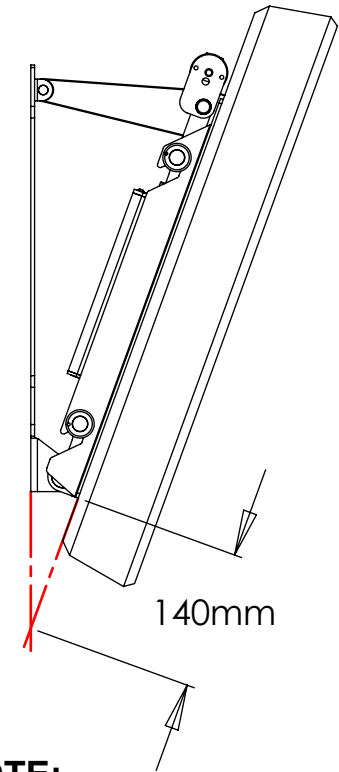
ET Electrical Tilting Bracket Technical Sheet

Sheet 2 of 2
ISSUE: 001
www.futureautomation.co.uk



NOTE:

Cross Bars are 680mm wide. This is therefore the minimum width of any screen that can be mounted on the ET mechanism.



NOTE:

The maximum distance that the bottom of any screen can be below the bottom of the bracket is 140mm.

If this distance is exceeded, the screen may hit the wall as the bracket tilts.

However, if the tilt angle is reduced, this distance can then be increased.



FUTUREAUTOMATION