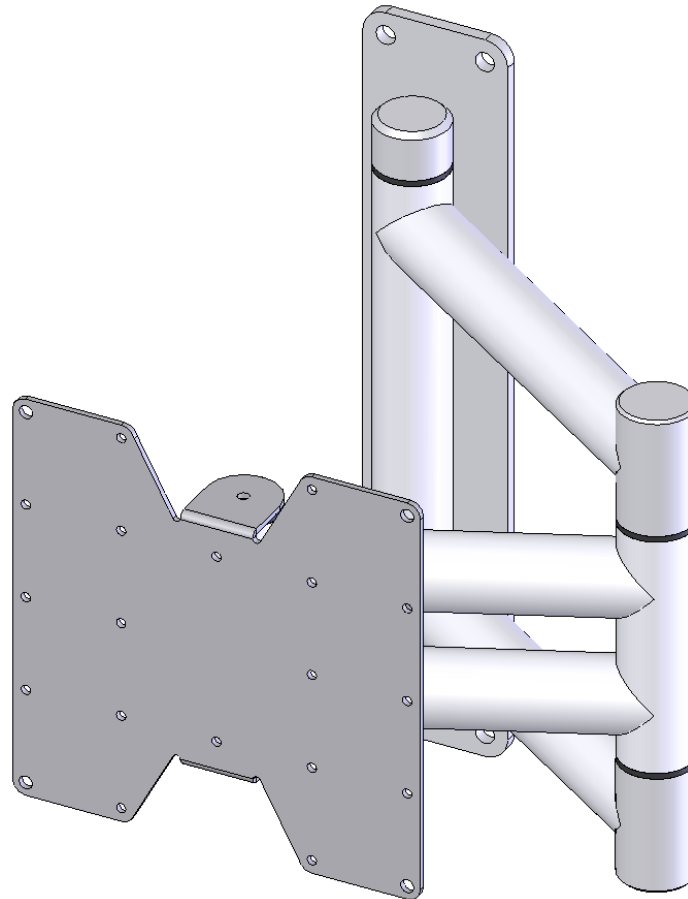
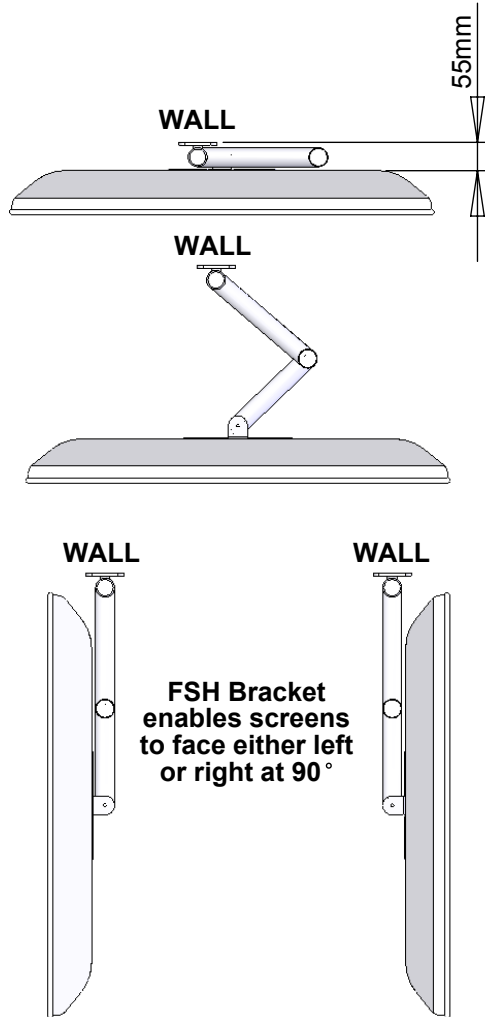


# FSH Flat Screen Heavy Bracket

## Technical Sheet

Sheet 1 of 2  
ISSUE: 001  
www.futureautomation.co.uk



### FUNCTION

A double arm bracket which enables a medium size screen to be pulled away from the wall and swivelled left and/or right.

Aluminium version (FSH) and lower cost black steel version (FSH-S) are available.

### SUITABILITY

Generally screens from 26" to 32" weighing up to 25Kg.

Group C version for all screens in our Group C.

VESA version for all VESA formats. Custom versions also available.

### SPECIFYING

Check wall make up for suitability.

Check viewing angles and position for feasibility.

### WALL FIXINGS

Wall fixings supplied for good quality brick work.

Resin anchors are ideal for softer brickwork.

### WARNING

It is the responsibility of the installer to make sure the product is safely secured to the wall / ceiling.

### VESA

Vesa mounts are either:  
4 holes 75 x 75 (VESA 75)  
4 holes 100 x 100 (VESA 100)  
6 holes 200 x 100 (VESA 200 X 100)  
4 holes 200 x 200 (VESA 200)



# FUTUREAUTOMATION

# FSH Flat Screen Heavy Bracket

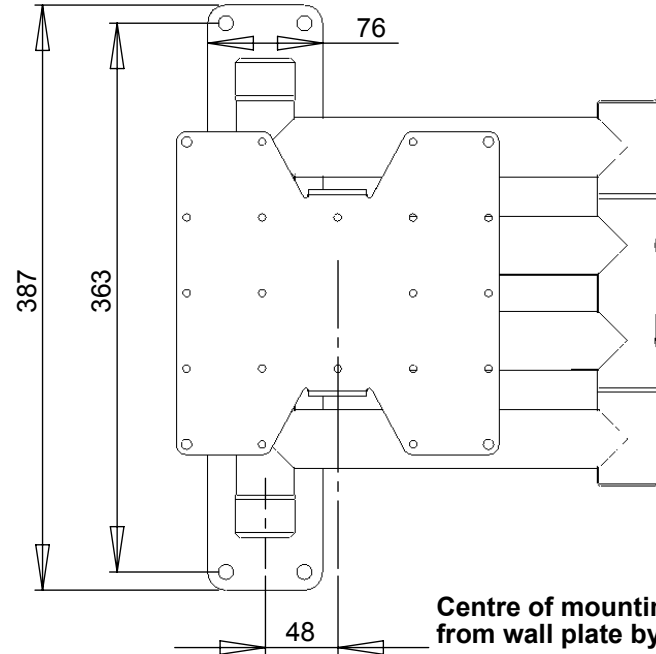
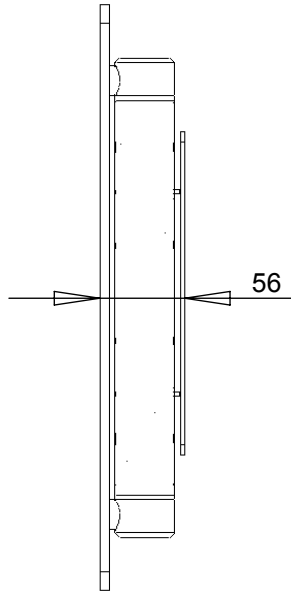
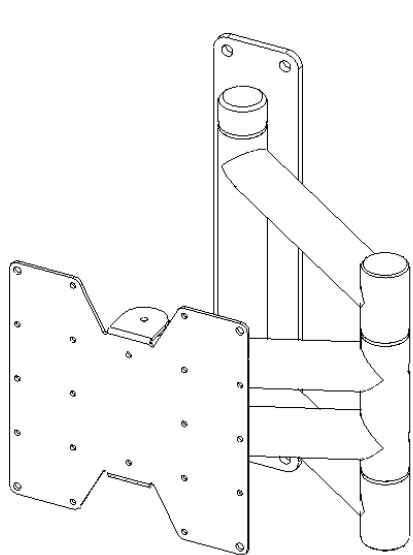
## Technical Sheet

Sheet 1 of 2  
 ISSUE: 001  
[www.futureautomation.co.uk](http://www.futureautomation.co.uk)

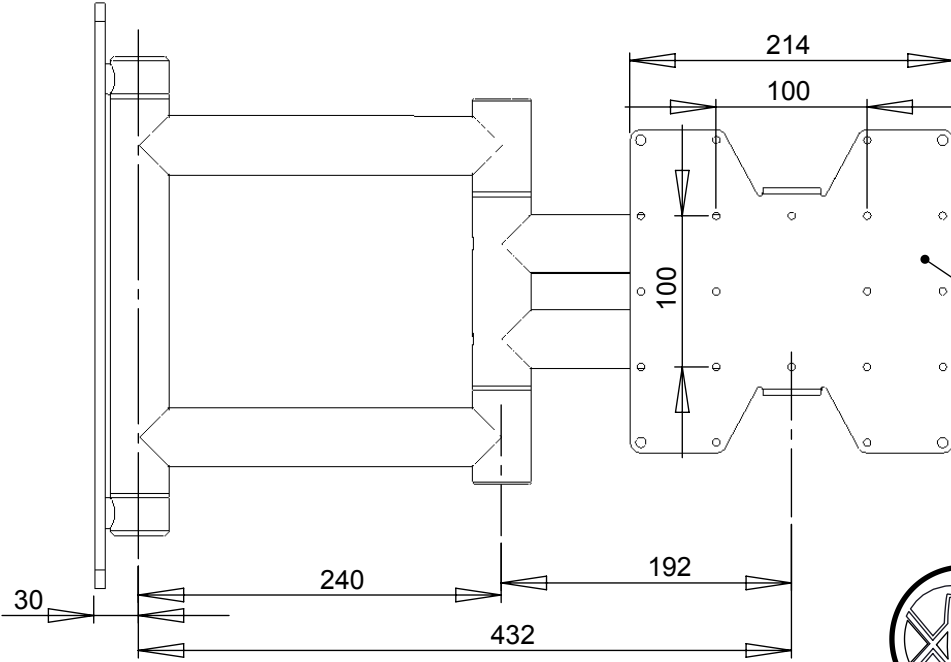


### NOTES

All fixings supplied



Centre of mounting plate is offset from wall plate by 48mm.



VESA plate shown

All VESA patterns supported.

- 100 x 100
- 100 x 200
- 200 x 200



# FUTUREAUTOMATION