

MOT42/50 PS Motor Kit

Technical Sheet

Sheet 1 of 2
ISSUE: 001
www.futureautomation.co.uk

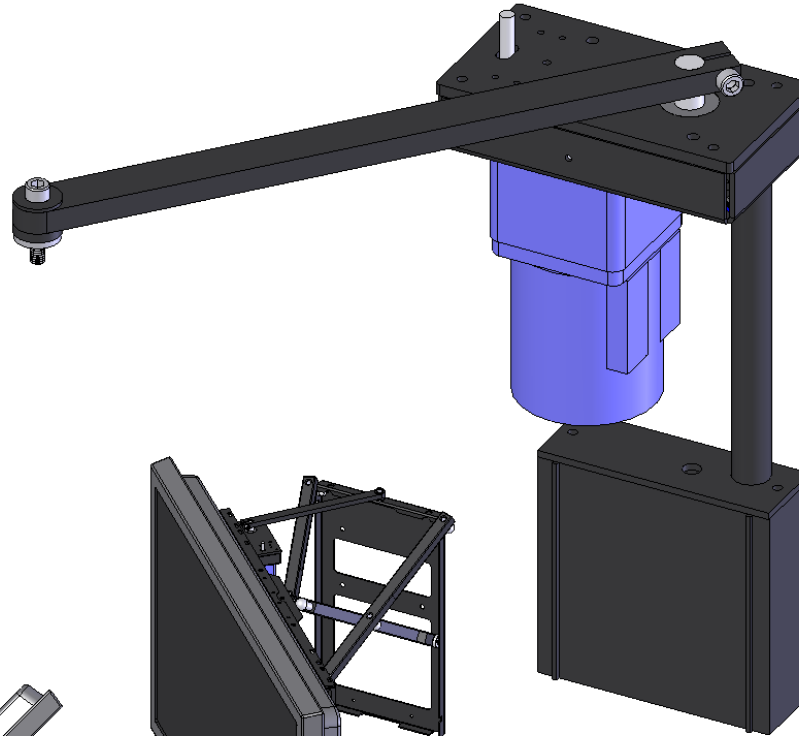
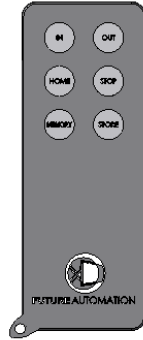


Supplied with:

IR handset and sensor.

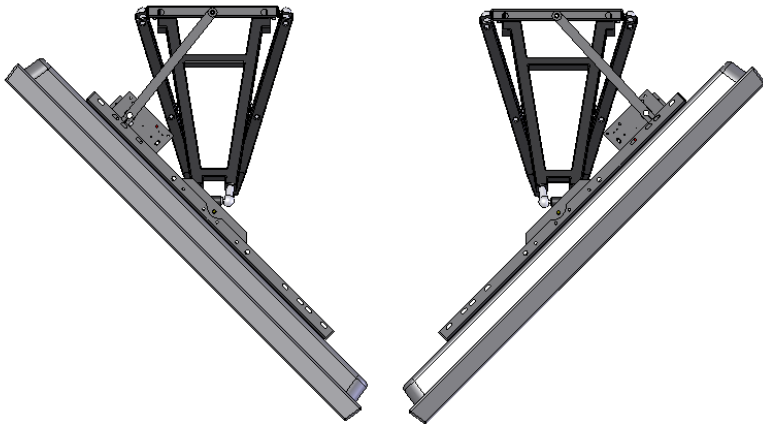
Arm with wall plate fixings. (two lengths available for 42" or 50")

2 x M6 x 8 bolts to fix to PS bracket.



MOT unit can be added to PS42/50 bracket to enable an automated swivel movement. Can be set up to provide either clockwise or anti-clockwise rotation.

Shown below.



WARNING
It is the responsibility of the installer to warn all potential end users of the dangers of interfering with mechanisms during operation

IMPORTANT
Mechanisms which lift or move weights need to be checked on a yearly basis for any damage which may result in an accident

See PS42/50 documentation for further details of mechanism.

FUNCTION

An electric motor kit that bolts on to a manual swivel bracket (PS42/50) to move it out to an angle of up to 45° using an infrared remote control.

Can be set up for clockwise and anti-clockwise rotation.

SUITABILITY

MOT42 fits on to the PS42 plasma swivel bracket. MOT50 fits on to the PS50 plasma swivel bracket. Can be ordered separately or complete packages.

SPECIFYING

Once the motor is fitted, the plasma swivel bracket will lose it's ability to swivel both ways.

Movement will be in one direction to an angle of 45°.

CONTROL

Supplied with basic infrared remote control. Can be learnt by many learning remotes.

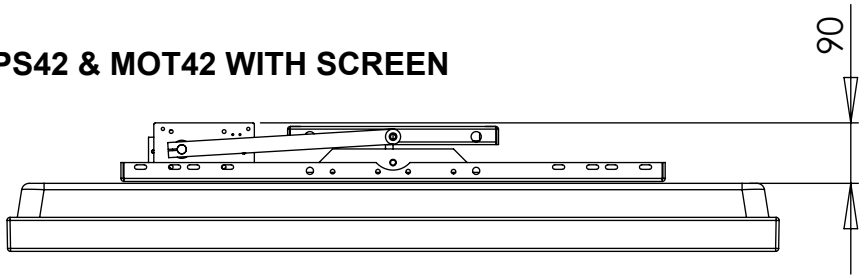
Also has switch control so can be operated by relays, switches, Crestron/AMX or Lutron systems.



FUTUREAUTOMATION

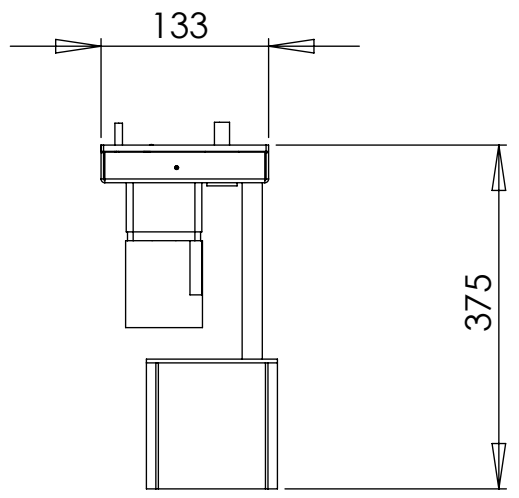


TOP VIEW - PS42 & MOT42 WITH SCREEN

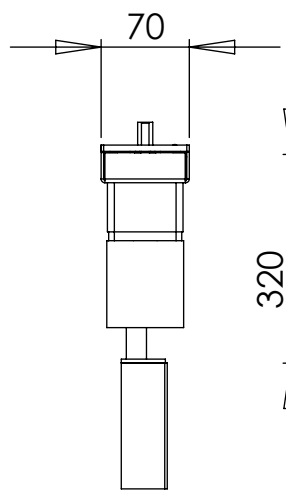


Minimum Distance between wall and back of screen is 90mm

FRONT VIEW - MOT ONLY



SIDE VIEW - MOT ONLY



FRONT VIEW - MOT & BRACKET

