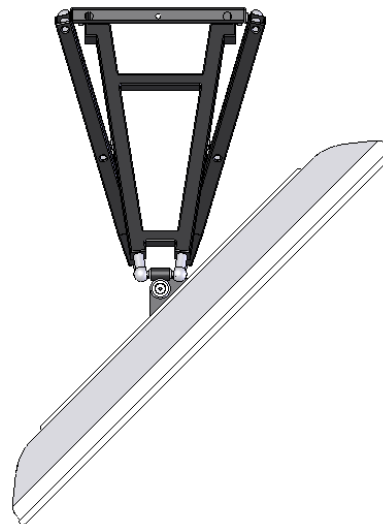
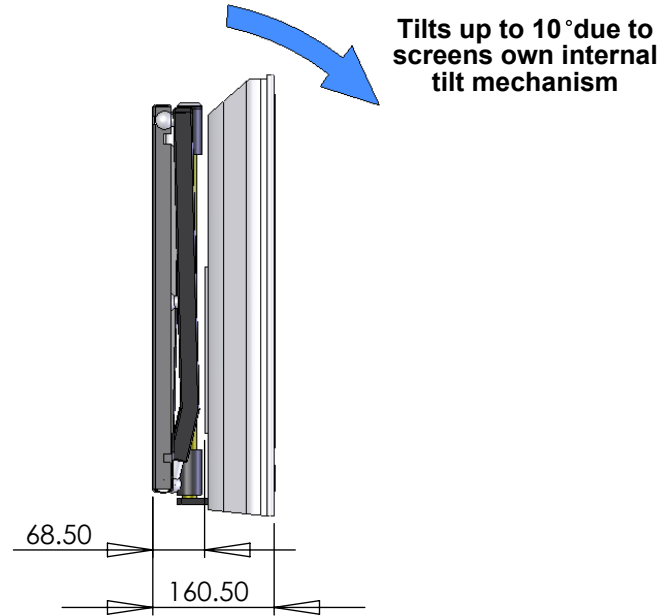


Mechanism swings  
60° both ways



**FUNCTION**

A swivelling manual plasma bracket for Loewe Xelos (A32/37) and Spheros (R32/37). Pull away from the wall and swivel the plasma screen left or right.

**SUITABILITY**

Suitable for Loewe Xelos (A32/37), Spheros (R32/37) and Modus (L32/37) screens.

**WALL FIXINGS**

No fixings are provided with this product. Consider using rawbolts or resin anchors. Resin anchors are ideal for softer brickwork or blocks.

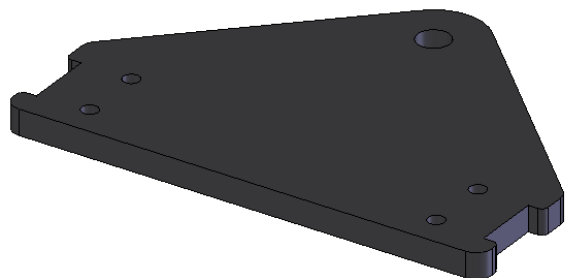
**WARNING**

It is the responsibility of the installer to make sure this product is safely secured to the wall or ceiling.



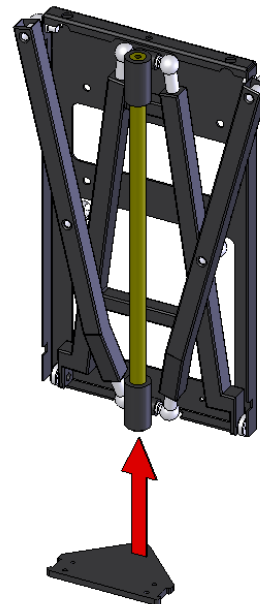


For further fitting information, refer to the standard PS42 fitting instructions.



1

The Loewe adapter plate should be bolted on to the bottom end of the bar using the M10x25 bolt provided.

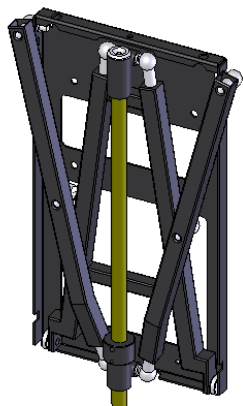


FIXINGS FOR  
BRACKET

M10 x 25mm x 1

FIXINGS FOR  
SCREEN

M5 x 12mm x 4



Friction of bracket can be altered by adjusting the white set screws in the top of the friction collar.

2

Then the Loewe screen can be bolted to the adapter plate using the four M5x12 bolts provided.

